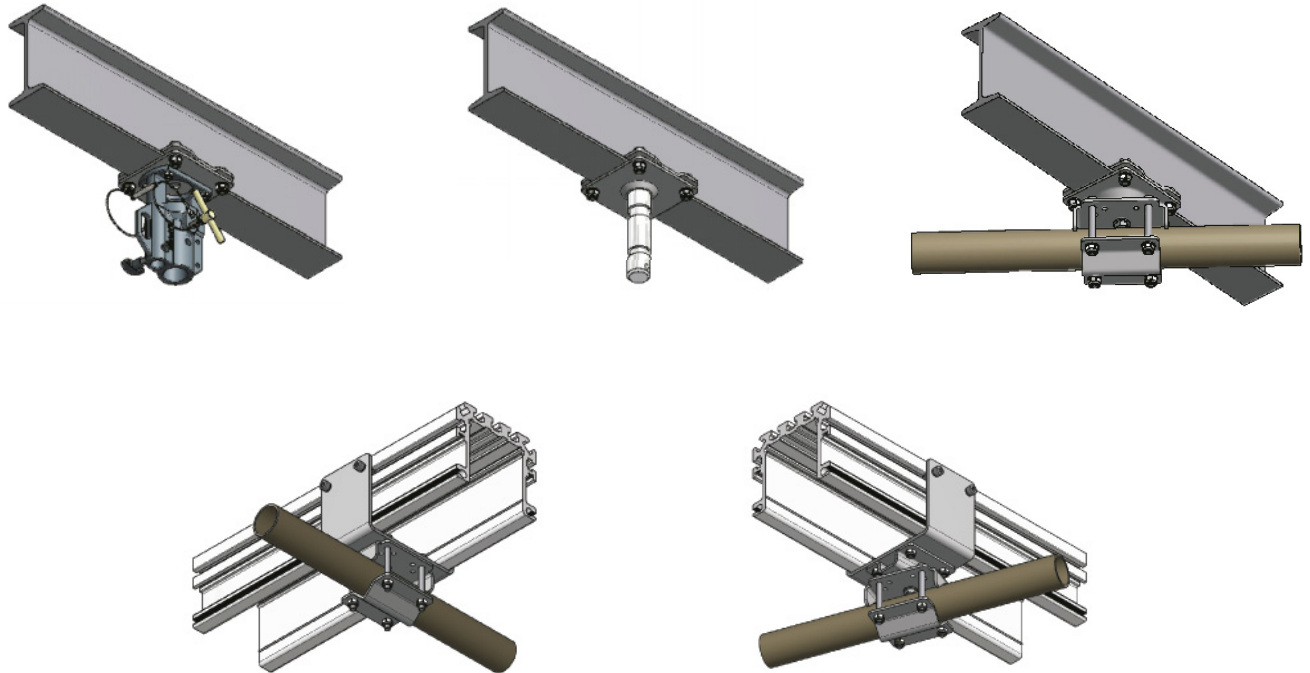


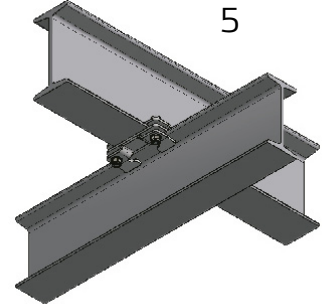
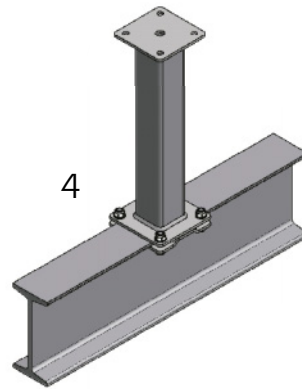
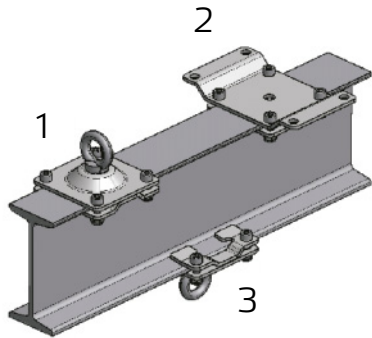


Mounting Elements



Adapters for IPN with	DIN 17/29 mm TV Socket	DIN 28 mm TV Spigot	Pipe fixation (48-50 mm)	Pipe fixation rotatable (48-50 mm)
Order code	1002971	1002972	1002973	1002974
Adapters for IPE with	DIN 17/29 mm TV Socket	DIN 28 mm TV Spigot	Pipe fixation (48-50 mm)	Pipe fixation rotatable (48-50 mm)
Order code	1002981	1002982	1002983	1002984
Adapters for Power Track PT-07 with	DIN 17/29 mm TV Socket	DIN 28 mm TV Spigot	Pipe fixation (48-50 mm)	Pipe fixation rotatable (48-50 mm)
Order code	1002991	1002992	1002993	1002994
Adapters for Power Track PT-20 with	DIN 17/29 mm TV Socket	DIN 28 mm TV Spigot	Pipe fixation (48-50 mm)	Pipe fixation rotatable (48-50 mm)
Order code	1002931	1002932	1002933	1002934

Mounting Elements

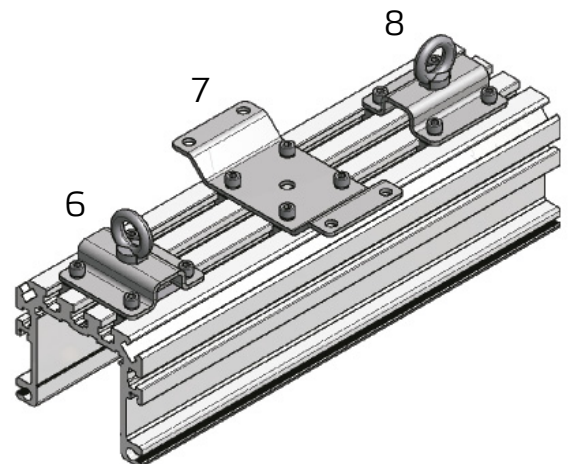


Adapters for IPN	1	2	3	4	5
Order code	1003021	1003022	1003023	1003024	1003025

Adapters for IPE	1	2	3	4	5
Order code	1003031	1003032	1003033	1003034	1003035

Adapters for Power Track PT-07	6	7	8
Order code	1003041	1003042	1003043

Adapters for Power Track PT-20	6	7	8
Order code	1003051	1003052	1003053

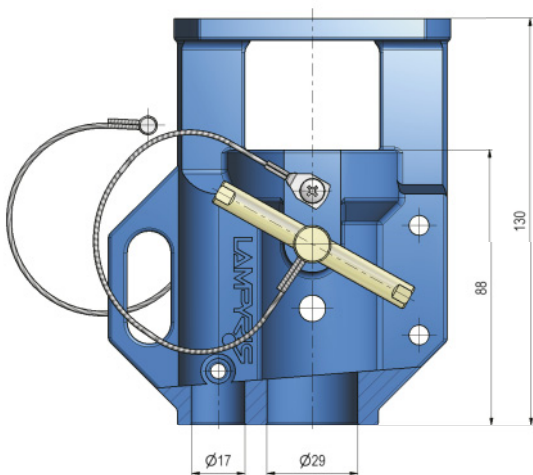


DIN TV Socket

17/29 mm

DIN TV Socket with 17/29 mm Socket for 16/28 mm TV Spigot

- Standard 17/29 mm DIN TV Socket with an eyelet for a safety rope.
- TV Socket with captive retaining self-locking safety pin and a toggle bolt for the load fixation.
- Designed in black powdered and galvanized steel.

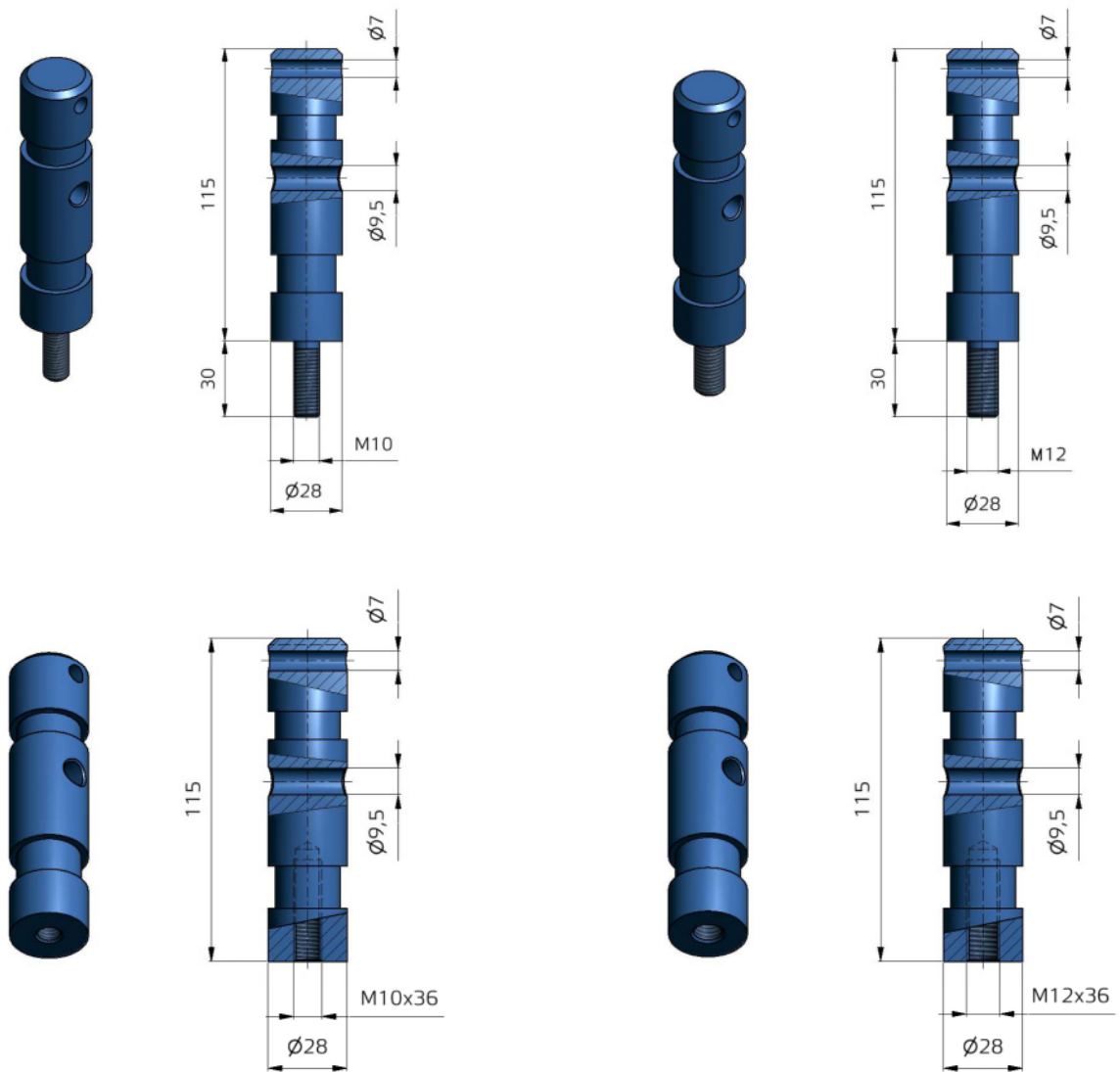


Type	DIN TV Socket
Installation length (mm)	130
Load attachment	17/29 mm DIN TV Socket
Payload max. (kg)	60
Net weight (kg)	ca. 0.35
Order code	1000267

DIN TV Spigot

28 mm

28 mm DIN TV Spigot M10 or M12 male/female thread
Material: DIN AlMgSi 0.5 / F22, galvanized steel



Type	DIN TV Spigot, steel				DIN TV Spigot, aluminium			
	M12 male	M10 male	M12 female	M10 female	M12 male	M10 male	M12 female	M10 female
Net weight (kg)	0.52	0.51	0.46	0.47	0.18	0.17	0.16	0.16
Order code	1001301	1001302	1001303	1001304	1002901	1002902	1002903	1002904

Rotary cup

Better torsional stability is achieved by added steel elements.
Available in other RAL colors as well.
Optional Colours in minimal amount of 1000 Pcs.



Standard RAL Colours



2002



1021



9003



5015

Optional RAL Colours



2003



6017



5018



9011

Type	Standard RAL Colours				Optional RAL Colours			
	2002	1021	9003	5015	2003	6017	5018	9011
Order code	1002910	1002911	1002912	1002913	1002914	1002915	1002916	1002917

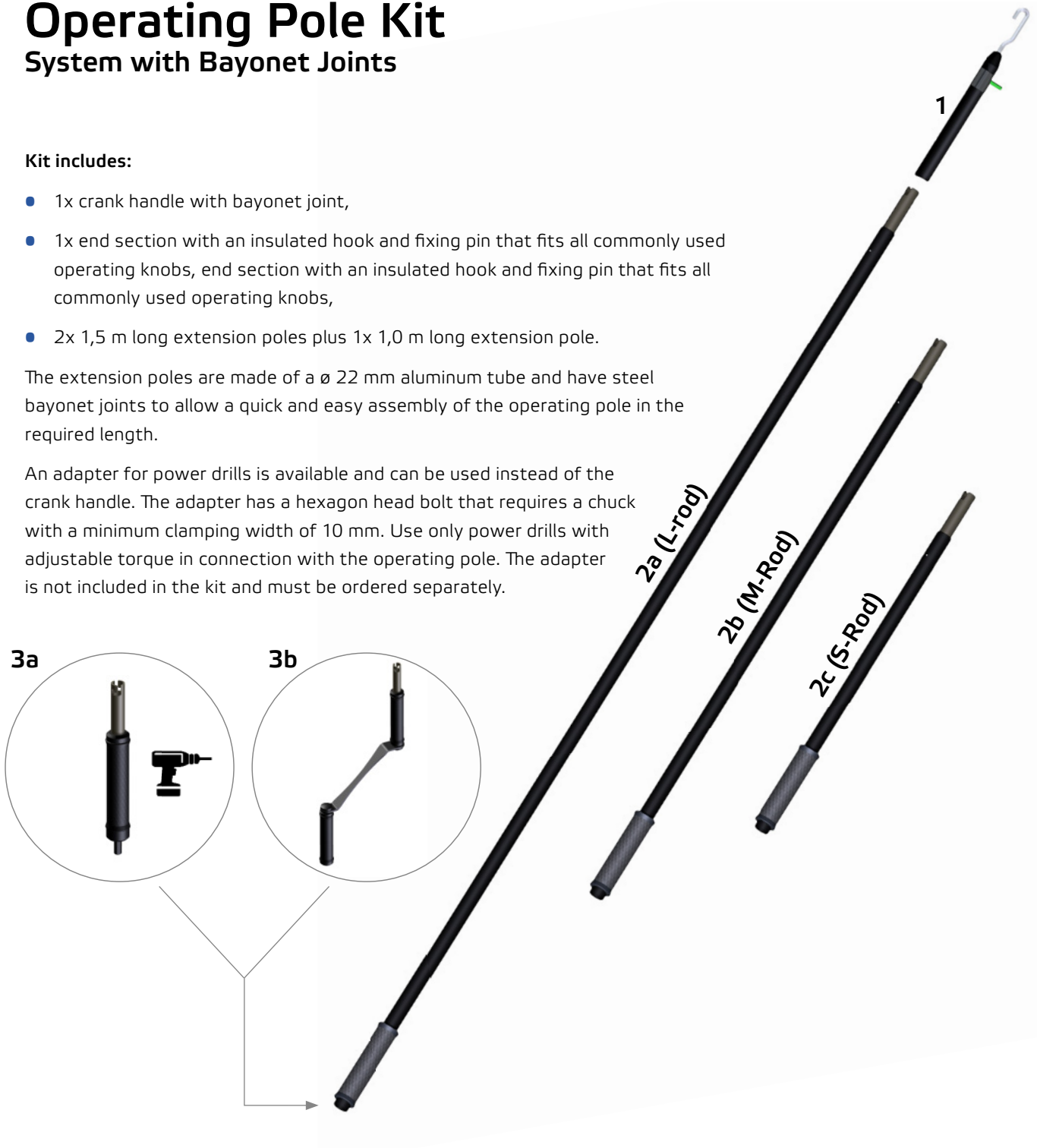
Operating Pole Kit System with Bayonet Joints

Kit includes:

- 1x crank handle with bayonet joint,
- 1x end section with an insulated hook and fixing pin that fits all commonly used operating knobs, end section with an insulated hook and fixing pin that fits all commonly used operating knobs,
- 2x 1,5 m long extension poles plus 1x 1,0 m long extension pole.

The extension poles are made of a \varnothing 22 mm aluminum tube and have steel bayonet joints to allow a quick and easy assembly of the operating pole in the required length.

An adapter for power drills is available and can be used instead of the crank handle. The adapter has a hexagon head bolt that requires a chuck with a minimum clamping width of 10 mm. Use only power drills with adjustable torque in connection with the operating pole. The adapter is not included in the kit and must be ordered separately.



Type	Operating Pole Kit	Hook end section	Extension L-Poles	Extension M-Poles	Extension S-Poles	Power Drill Adapter	Crank Handle
Code	-	1	2a	2b	2c	3a	3b
Length (mm)	4500	300	1500	1000	500	300	300
Order code	1001660	1001661	1001662	1001663	1001664	1001665	1001666

LAMPYRIS Project s. r. o.

Studio Suspension Equipment
info@lampyris-project.com | www.lampyris-project.com
©2018 LAMPYRIS Project s.r.o.